

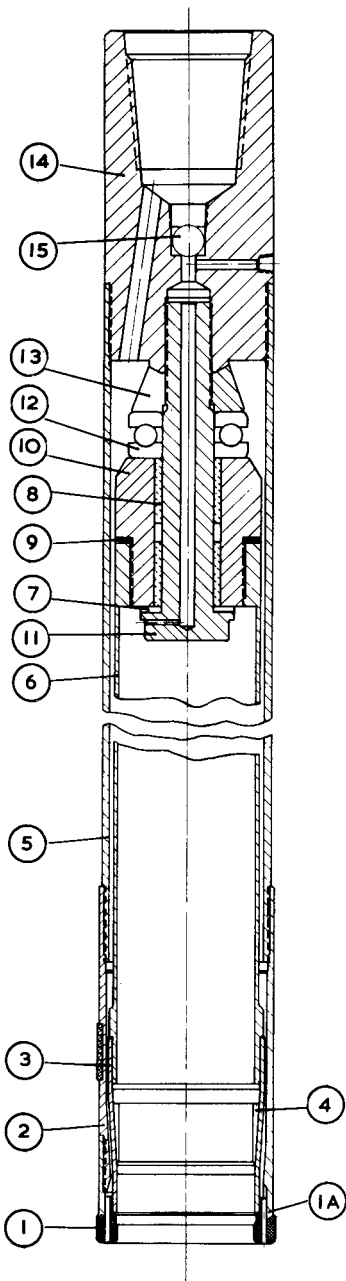
# DTRT & ST Core Barrels

## Double Tube Swivel Type Core Barrels – WF

**These core barrels conform to BSI, CDDA and DCDMA standards.**

It is often difficult to obtain good core recovery in badly shattered, soft, weathered or partially unconsolidated formations. For these difficult drilling conditions, Face Ejection Core Barrels and Bits are ideal.

In Face Ejection, Swivel Type Core Barrels, two features help produce good core recovery under difficult conditions. First, the inner core tube, mounted on a swivel bearing, remains stationary while the outer tube rotates. The core can thus slip into the inner tube without being disturbed or jammed by contact with the rotating metal. Since the stationary knock-on type core lifter case is directly behind the diamond face of the bit, the twisting effect on the core is limited to the length of the inner cutting face of the bit. Secondly, the Air Flush passes through the core barrel between the inner and outer tube assemblies and then through the ejection holes directly to the face of the bit, eliminating the washing or eroding effect of the high velocity air on the core. These core barrels can also be used with either water or mud fluids.



### CORE BARRELS

		HWF		PWF	
Bit-Set Gauge	O.D.	3.890in	98.8mm	4.720in	119.9mm
	I.D.	3.000	76.2	3.625	92.1
Reaming Shell-Set Gauge	O.D.	3.906	99.2	4.750	120.7
	I.D.	3.062	77.8	3.687	93.6
Outer Tube		O.D.	3.750	95.3	4.500
Inner Tube		I.D.	3.062	77.8	3.687

Item	Description	No. Req'd	Part No.	Part No.
	Core Barrel Assembly	10ft	1713372	1716016
		5ft	1713374	1716017
7-16	Barrel Head Assembly		1707311	1707602
1*	Bit (set) Short Shank	One to suit	1701331	1701665
	Bit (carbide) Short Shank		-	1701667
Bit (set) Long Shank	-		1701669	
Bit (carbide) Long Shank	8170113		1701671	
2*	Reaming Shell (set)	One to suit	1703324	1703610
	Reaming Shell (carbide)		-	1703611
3	Core Lifter Case	1	1743306	1743600
4*	Core Lifter	1	1702317	1702608
5	Outer Tube	10ft	1705332	1705607
		5ft	1705334	1705608
6	Inner Tube	10ft	1706307	1706603
		5ft	1706309	1706604
7	Thrust Washer	1	1727300	1727600
8	Sleeve Bearing	2	5020030	1725600
9	Shim Set	1	1722302	1722600
10	Bearing Plug (C/W Item 8)	1	1725310	1725601
11	Core Barrel Spindle	1	1742304	1742600
12	Ball Thrust Bearing	1	5000120	5000158
13	Core Barrel Spindle Nut	1	1173902	1739600
14	Core Barrel Head	1	1707302	1707603
15	Steel Ball	1	-	5200029
16	Pipe Plug (not shown)	1	-	5200134
17*	Bit Breaker Plate (not shown)	1	-	1744601

\*Parts are not included with the assembly and must be ordered separately.  
Long Shank bit set to reaming shell O.D.

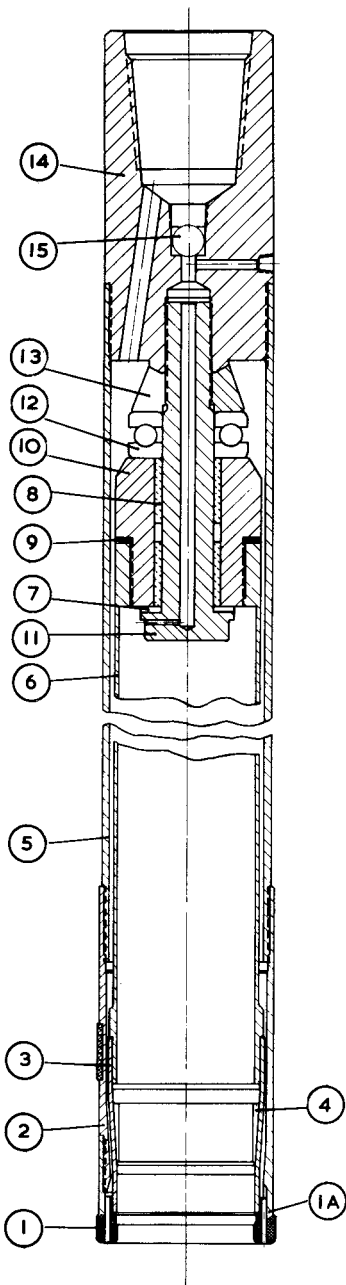
# DTRT & ST Core Barrels

## Double Tube Swivel Type Core Barrels – WF

**These core barrels conform to BSI, CDDA and DCDMA standards.**

It is often difficult to obtain good core recovery in badly shattered, soft, weathered or partially unconsolidated formations. For these difficult drilling conditions, Face Ejection Core Barrels and Bits are ideal.

In Face Ejection, Swivel Type Core Barrels, two features help produce good core recovery under difficult conditions. First, the inner core tube, mounted on a swivel bearing, remains stationary while the outer tube rotates. The core can thus slip into the inner tube without being disturbed or jammed by contact with the rotating metal. Since the stationary knock-on type core lifter case is directly behind the diamond face of the bit, the twisting effect on the core is limited to the length of the inner cutting face of the bit. Secondly, the Air Flush passes through the core barrel between the inner and outer tube assemblies and then through the ejection holes directly to the face of the bit, eliminating the washing or eroding effect of the high velocity air on the core. These core barrels can also be used with either water or mud fluids.



### CORE BARRELS

		SWF		UWF		ZWF	
Bit-Set Gauge	O.D.	5.270in	145.3mm	6.845in	173.9mm	7.845in	199.3mm
	I.D.	4.437	112.7	5.500	139.7	6.500	165.1
Reaming Shell-Set Gauge	O.D.	5.750	146.0	6.875	174.6	7.875	200.0
Outer Tube	O.D.	5.500	139.7	5.625	168.3	7.625	193.7
Inner Tube	I.D.	4.500	114.3	5.625	142.9	6.625	168.3

Item	Description	No. Req'd	Part No.	Part No.	Part No.
	Core Barrel Assembly	10ft	1716028	1716040	1716052
		5ft	1716029	1716041	1716053
7-16	Bare Barrel Head Assembly		1707605	1707608	1707611
1*	Bit (set) Short Shank	One to suit	1701673	1701681	1701689
	Bit (carbide) Short Shank		1701675	1701683	1701691
1A*	Bit (set) Long Shank	One to suit	1701677	1701685	1701693
	Bit (carbide) Long Shank		1701679	1701687	1701695
2*	Reaming Shell (set)	One to suit	1703612	1703615	1703617
	Reaming Shell (carbide)		1703614	1703616	1703618
3	Core Lifter Case	1	1743601	1743602	1743603
4*	Core Lifter	1	1702609	1702610	1702611
5	Outer Tube	10ft	1705612	1705617	1705622
		5ft	to suit	1705613	1705618
6	Inner Tube	10ft	1706608	1706613	1706618
		5ft	to suit	1706609	1706614
7	Thrust Washer	1	1727600	1727602	1717602
8	Sleeve Bearing	2	1725600	1725603	1725603
9	Shim Set	1	1722601	1722602	8172200
10	Bearing Plug (C/W Item 8)	1	1725602	1725604	1725605
11	Core Barrel Spindle	1	1742600	1742601	1742601
12	Ball Thrust Bearing	1	5000158	5000159	5000159
13	Core Barrel Spindle Nut	1	1739600	1739601	1739601
14	Core Barrel Head	1	1707606	1707609	1707612
15	Steel Ball	1	5200029	5200029	5200029
16	Pipe Plug (not shown)	1	5200134	5200134	5200134
17*	Bit Breaker Plate (not shown)	1	1744602	1744603	1744604

\*Parts are not included with the assembly and must be ordered separately.  
Long Shank bit set to reaming shell O.D.